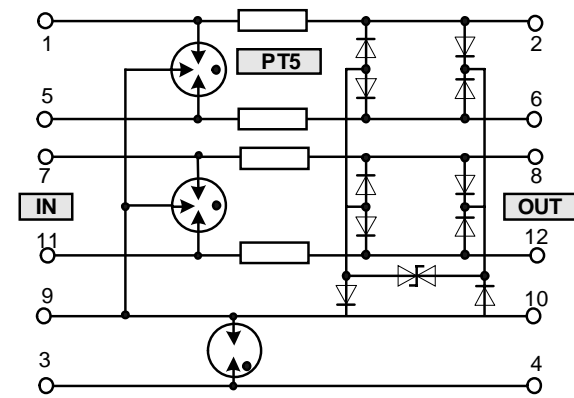
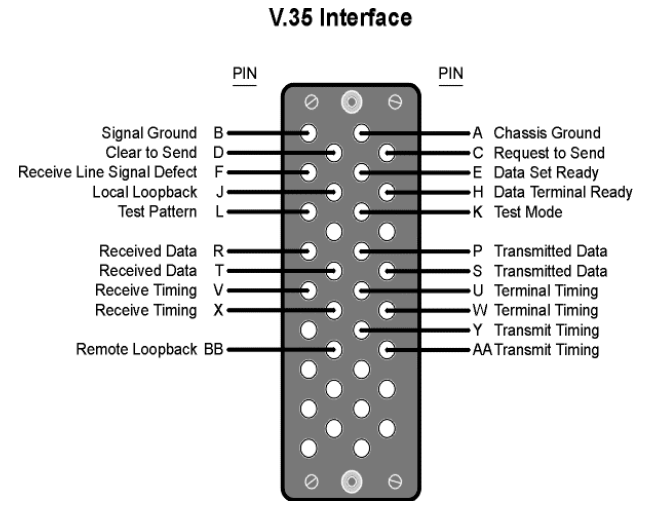


# Overvoltage protection at V.35 interface

PIN No.	Signal	PT 5-HF-5DC & PT 2x2+F-BE				
		No. 1	No. 2	No. 3	No. 4	No. 5
A	Chassis GND	Te. 3 <sup>1)</sup>	-	-	-	-
B	Signal GND	Te. 9 <sup>2)</sup>	-	-	-	-
C	RTS	Te. 1	-	-	-	-
D	CTS	Te. 5	-	-	-	-
E	DSR	Te. 7	-	-	-	-
H	DTR	Te. 11	-	-	-	-
R	Receive data	-	Te. 1	-	-	-
T	Receive data	-	Te. 5	-	-	-
P	Transmit data	-	Te. 7	-	-	-
S	Transmit data	-	Te. 11	-	-	-
V	Receive timing	-	-	Te. 1	-	-
X	Receive timing	-	-	Te. 5	-	-
Y	Transmit timing	-	-	Te. 7	-	-
AA	Transmit timing	-	-	Te. 11	-	-
U	Terminal timing	-	-	-	Te. 1	-
W	Terminal timing	-	-	-	Te. 5	-
J	Local Loopback	-	-	-	Te. 7	-
BB	Remote Loopback	-	-	-	Te. 11	-
F	Receive line signal	-	-	-	-	Te. 1
K	Test mode	-	-	-	-	Te. 5
L	Test pattern	-	-	-	-	Te. 7



- 1) Te = Terminal
- 2) The ground (terminal 9) of all PT 5-HF... have to be connected together.